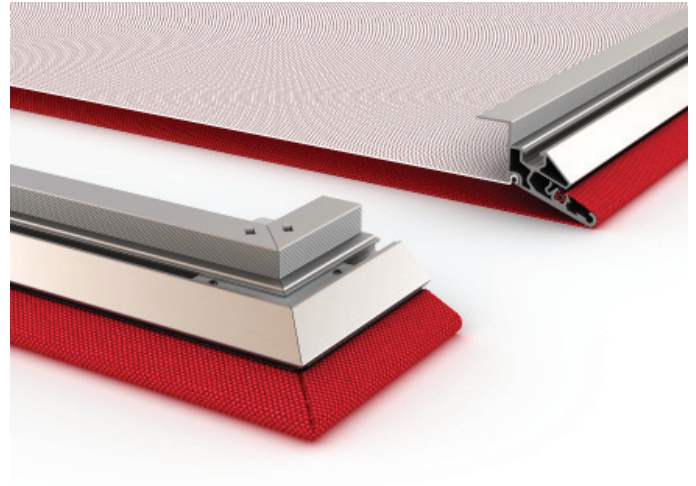


Soft Cells Standard

version 2018.08.30



About

Soft Cells – the original version – rely on two layers of tensioned textile to control sound. Typically, this version offers Class-C sound absorption, as per ISO 11654.

Particularly well suited to:

Spaces with moderate need for sound absorption

Spaces with large free surfaces – particularly in ceilings

High frequency absorption on walls, broadband absorption as suspended ceiling

Applications

Interior walls and ceilings

Structural form

Single-sided, double-layer tensioned textile on aluminium frame, air cavity between textiles 15mm

Dimensions

Customised as standard from 200 × 200 mm to 3000 × 6000 mm, depending on choice of textile (textile width – 200mm = maximum panel width). Larger special sizes can be prepared on request

System depth

Wall-mounted version: 55 mm from installation surface.

Ceiling-mounted version with magnets or hinge/push-latch: 55 mm from installation surface.

Ceiling-mounted version with steel wire: min. 110 mm/max. 1600 mm

Frame profile

Aluminium hollow section profile, height: 49 mm
Colour: silver anodised

Mounting system

Walls: magnets and flex magnet (combined) or hinge/push-latch

Ceilings: magnets or flex magnet or hinge/push-latch or steel wire.

Textiles

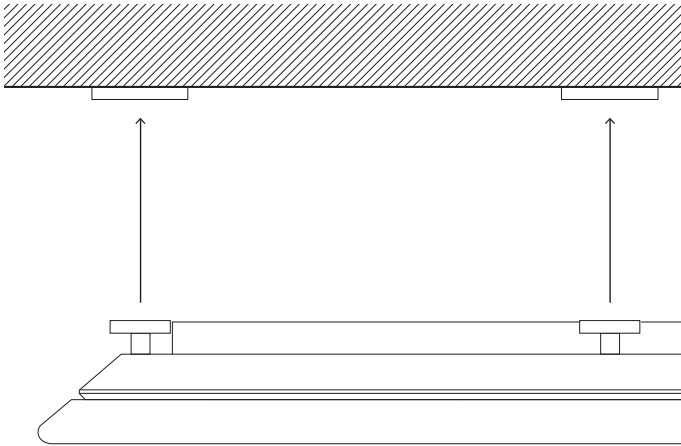
A standard set of textiles have been tested for sound absorption according to ISO 11654/EN ISO 354. Additional textiles can be tested for acoustic performance upon request

Acoustic membrane

Incorporated 15 mm air space behind front textile.

Accessories

Magnet suspension

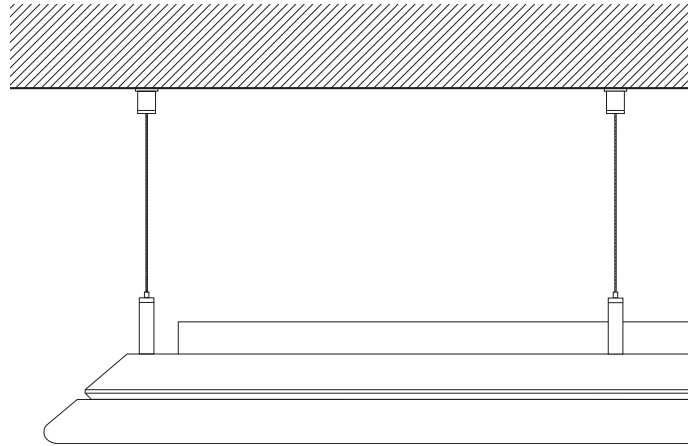


Allow for the dismantling of panels without tools.
Suitable for mounting on walls and ceilings

Material: pot magnet, steel

Overall depth of the panels from the face of the installation surface: 55 mm

Steel wire suspension

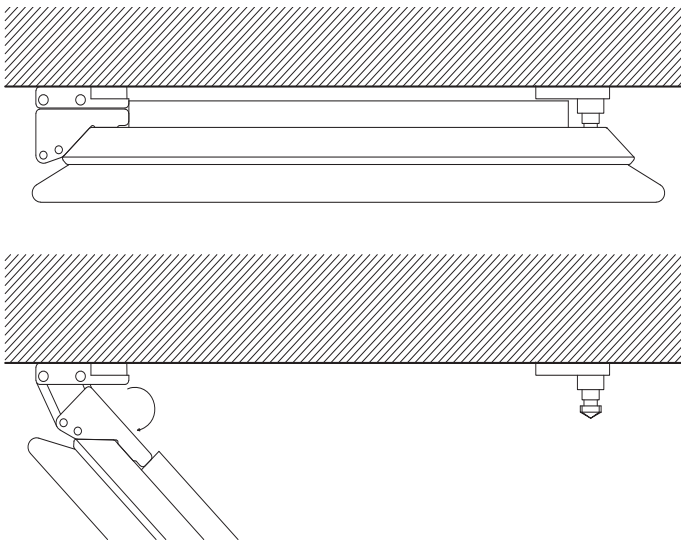


For ceiling mounting where a suspended ceiling is required.

Material: stainless steel wire

Adjustable distance from the front side of the panel to the installation surface: range: 110-1600 mm

Hinge/push latch suspension

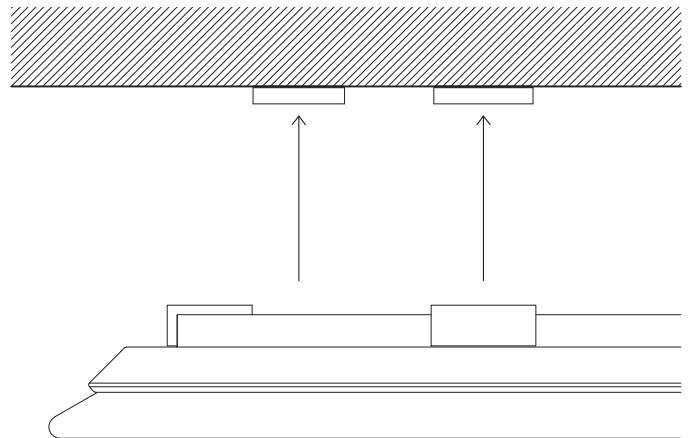


If subsequent access is required behind the panel, Soft Cells should in ceilings be mounted with hinge/push latch.

Material: steel

Dimensions from the front side of the Soft Cells to the installation brackets: 55 mm

Flex magnet suspension

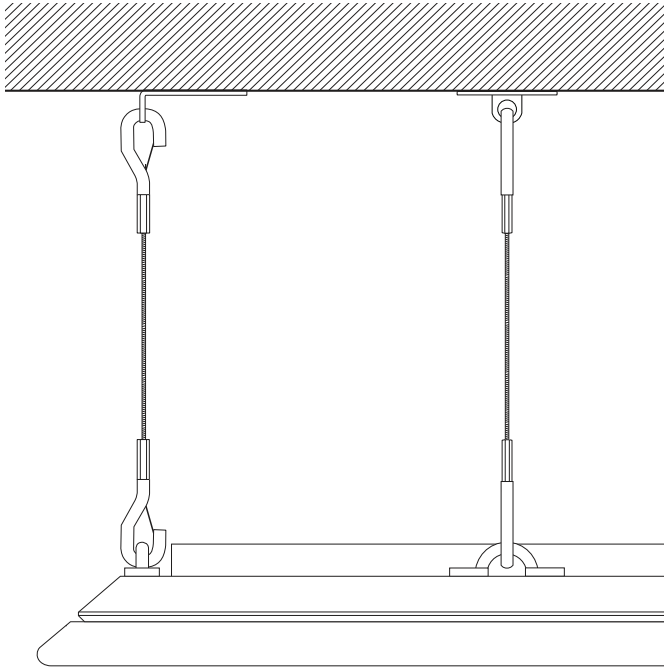


Allow for the dismantling of panels without tools.
Suitable for mounting on walls and ceilings
Concealed/hidden solution.

Material: pot magnet, steel, aluminium

Overall depth of the panels from the face of the installation surface: 55 mm

Safety wire



All suspension systems include safety wires if panels are installed in ceilings or on walls more than 3000mm above floor level. (optional for wire suspension).

Fire performance

Kvadrat Soft Cells come with a range of firetests classifications and certificates included as standard for several international markets (Europe, USA, China, Middle East, etc.). Due to the many different possible configurations of Soft Cells and varying fire regulations in different markets, the standard coverage can vary for your particular product choice and setting.

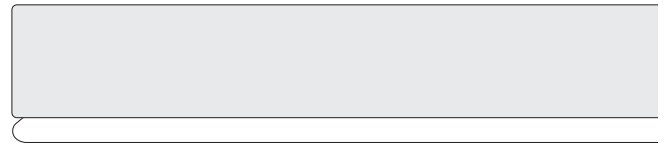
For further details please see Kvadrat Soft Cells fire performance, test certificates and services-document.

CE-marking

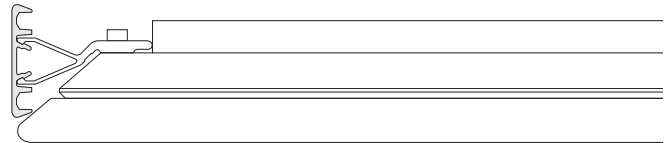
Kvadrat Soft Cells comply with the EU-harmonised product standard for suspended ceilings (EN-13964).

For further details please refer to softcells.com

End caps



Front profile



Side profile

For covering the small gap between wall and Soft Cells

Material: aluminium

Width: 45mm, length adjusted to length or width of Soft Cells, max. 6000mm in one piece

Can be upholstered with the same textiles as the Soft Cells panels.

Environmental labelling

Kvadrat Soft Cells carry general environmental product declaration (EPD) according to international standards. This information feed into all major environmental building certification schemes like DGNB, LEED, BREEAM, HQE and others used worldwide.

Furthermore, Kvadrat Soft Cells are designed for disassembly.

Printed SC

SC with print is available on Primus 1100 and Toto 1102 as a front textile.

Printed textiles are EN-fire tested B,s1-d0 and acoustic performance equals non-printed versions.

Printed SC size limits are:

Max length of 3000 mm

Max width of 1500 mm

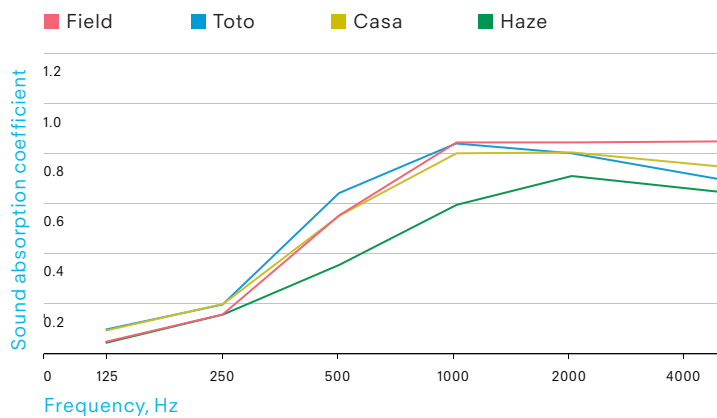
Acoustic performance

Acoustic results for specific textiles can be supplied upon request, or downloaded from soft-cells.com.

See indicative examples in figures below:

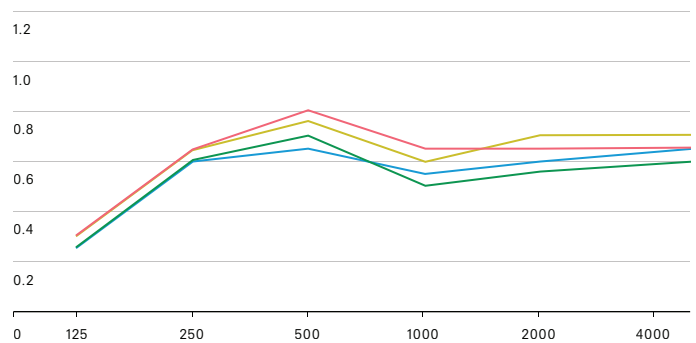
Wall Use

Wall and ceiling absorbers installed with magnets, 55 mm depth (ISO-354) with different front textiles



Ceiling Use

Suspended ceiling absorbers, 200 mm depth (ISO-354) with different front textiles



Textile example	Acoustic Class	α	EN Fire Class
Field	D	0,5 (MHH)	B-s1,d0
Ginger 2	D	0,4	B-s1,d0
Toto	D	0,5 (MH)	B-s1,d0
Casa	D	0,5 (MHH)	B-s1,d0
Pro 3	D	0,45 (MH)	B-s1,d0
Tempo	D	0,5 (HH)	B-s1,d0
Haze	D	0,4 (HH)	B-s2,d0

Textile example	Acoustic Class	α	EN Fire Class
Field	C	0,75	B-s1,d0
Ginger 2	D	0,55	B-s1,d0
Toto	C	0,6	B-s1,d0
Casa	C	0,7	B-s1,d0
Pro 3	C	0,7	B-s2,d0
Tempo	C	0,7	B-s1,d0
Haze	D	0,55	B-s2,d0